



SPECIFICATIONS

Dual control

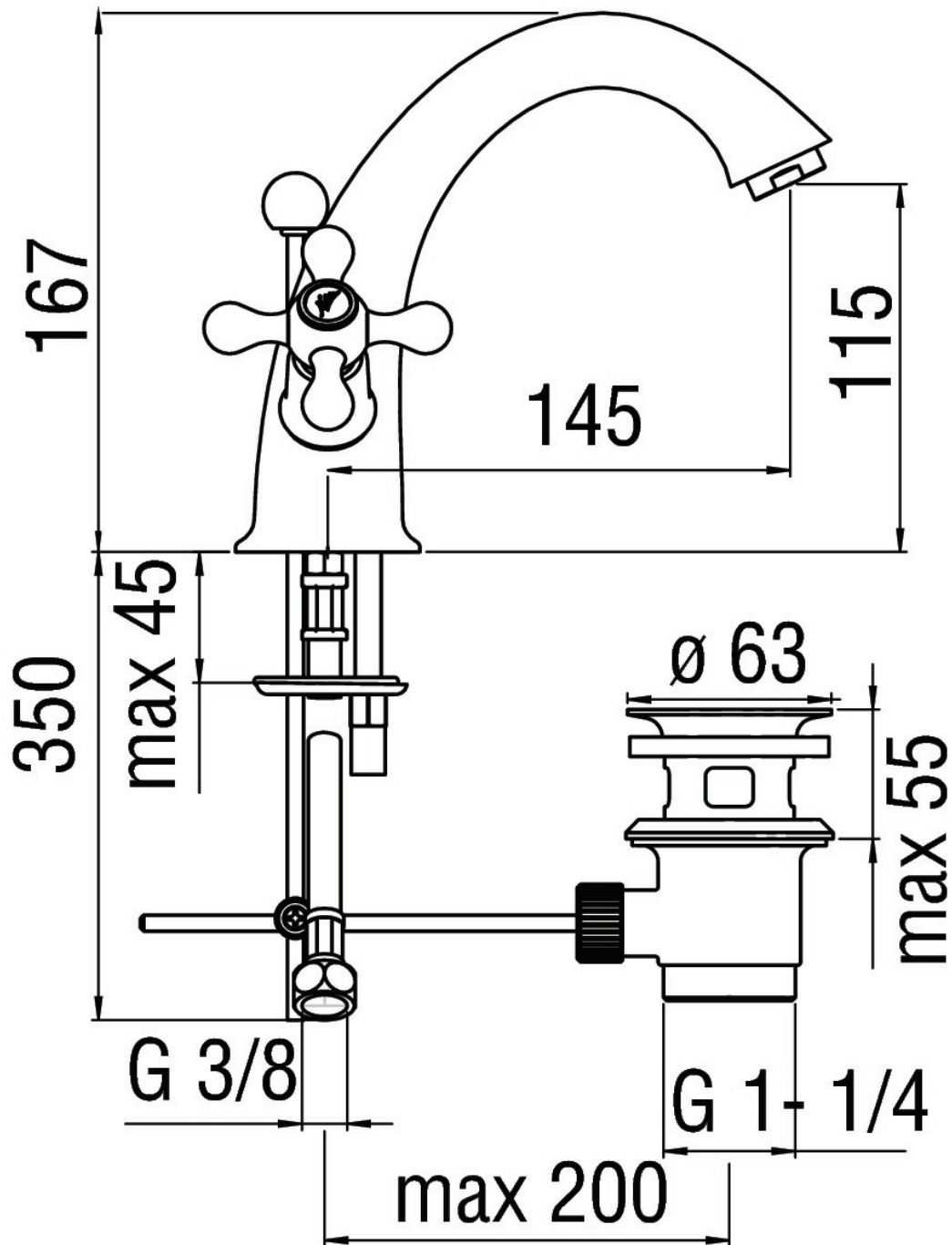
Chrome

Anti limescale aerator M 24 x 1

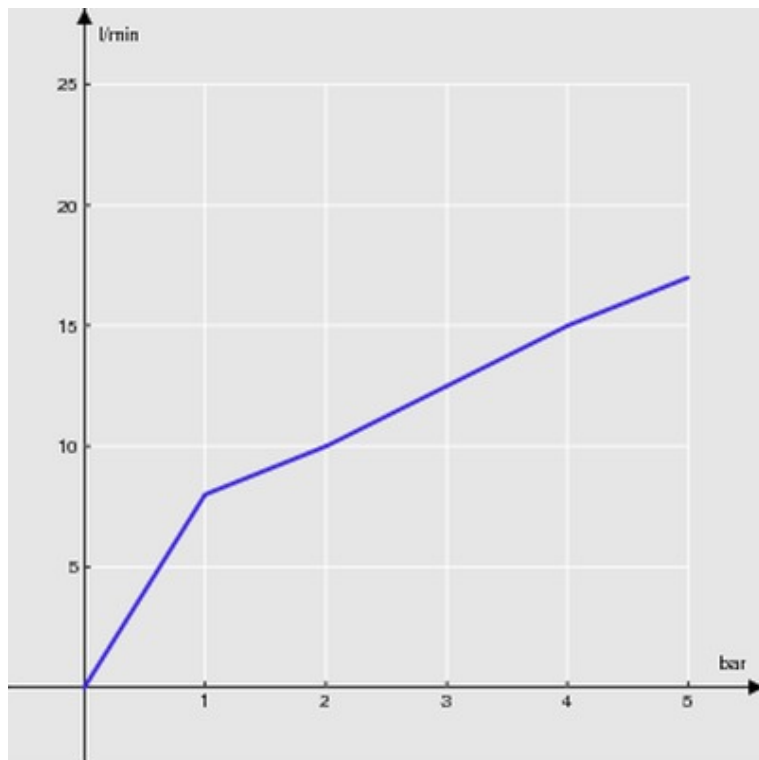
1 1/4" waste

ø 3/8" stainless steel flexible pipe

Packaging: 46,6 x 17,2 x 12 cm / 0,00962 m<sup>3</sup> / 2,35 kg



FLOW RATE DIAGRAM: HOT/COLD WATER



FLOW RATE DIAGRAM: MIXED WATER

