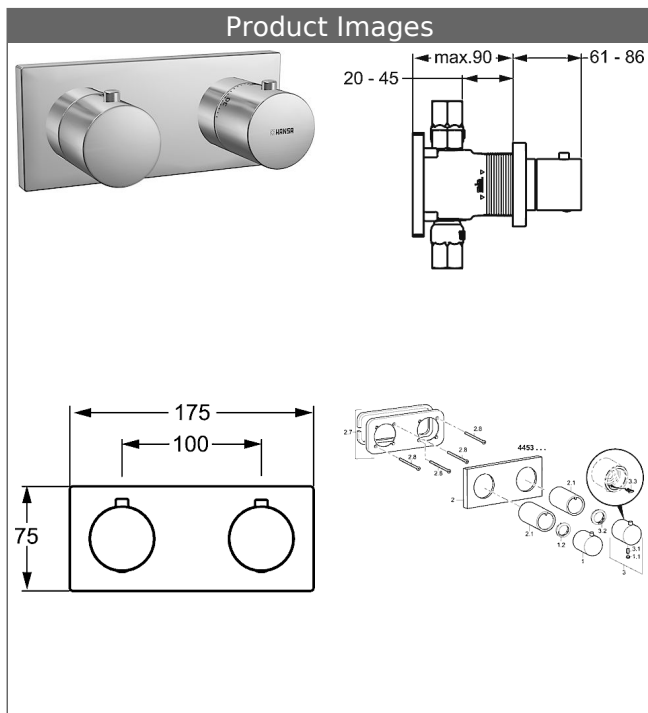


## HANSAMATRIX trim kit

### thermostatic mixer


suitable for HANSALOFT, HANSADESIGNO, HANSALIGNA, HANSASTECLA, HANSARONDA  
with 2-way-diverter/with volume control  
rosette without screws



## Description

HANSAMATRIX  
trim kit  
thermostatic mixer  
suitable for HANSALOFT, HANSADESIGNO, HANSALIGNA,  
HANSASTECLA, HANSARONDA  
with 2-way-diverter/with volume control  
rosette without screws

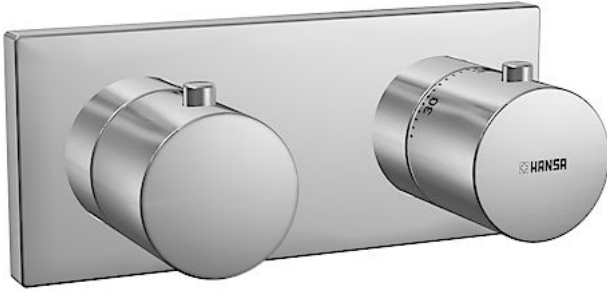
- trim kit consisting of:
- temperature control handle (metal) with safety stop at 38°C
- lever for diverter (metal)
- sleeve and wall rosette
- trim plate frame
- retrofittable temperature limiter at approximately 38 °C

Model	Item No.	
chrome	44539503	

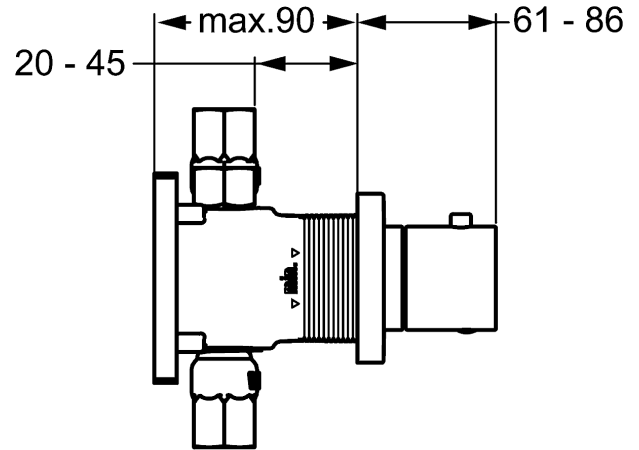
suitable for installation unit 4403 0000



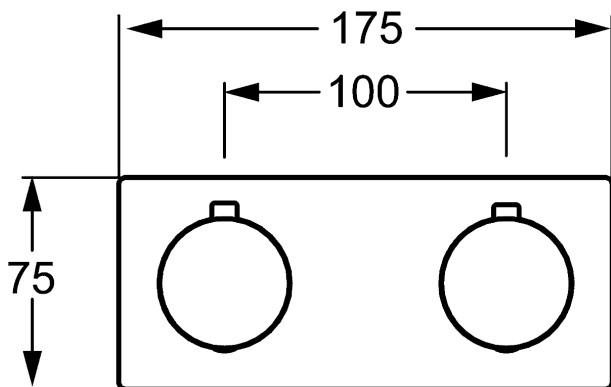
Product Image



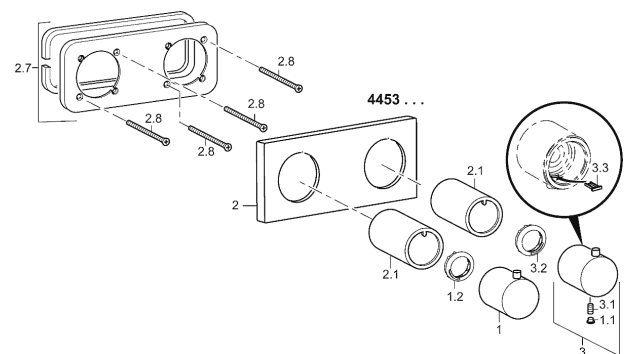
Product Drawing




Product Drawing



Product Drawing



### Related Products

Image:	Description:	Model / Item No.:
	<p><b>HANSAMATRIX</b> <b>concealed installation unit, DN 15 (G 1/2)</b> <b>thermostatic mixer</b></p> <p>with 2-way-diverter with protection against scalding</p>	44030000